



access control for the modern workplace

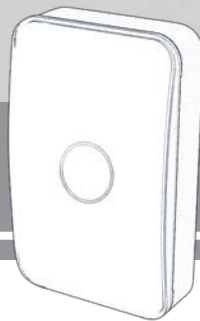
OP-RHF-STD, OP-RLF-STD
OP-RHF-MULB, OP-RLF-MULB
Standard and Mullion Smart Readers

Openpath Smart Readers

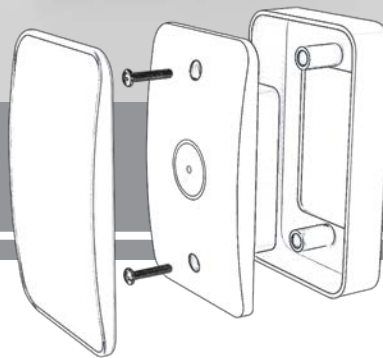
The Openpath door reader leverages industry leading security combined with an elegant design that will enhance any door and office environment. Now offered in both high frequency (HF) and low frequency (LF) options, the Openpath reader fits your specific needs. The standard reader can be flush mount inside a single gang box, providing a slim profile, while the mullion form is ideal for surface mounting where space is limited, like on a doorframe.



Flush mounted in gang box*



Surface mounted on the wall



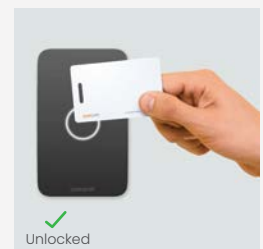
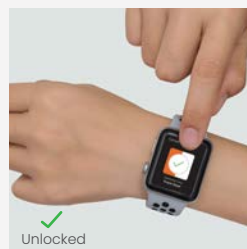
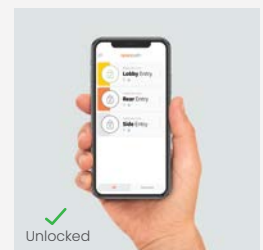
Surface mounted with casing and snap cover exposed

*standard reader installation ONLY

Openpath Access

Openpath creates smart security solutions for the modern office. The company's flagship product, Openpath Access, combines sleek hardware with an app, enabling employees to enter the office using their smartphone. Unlike legacy systems, Openpath's software is cloud-based, meaning Access easily scales with your business and seamlessly integrates with platforms like G Suite and Azure AD.

Openpath's patented SurePath Mobile technology ensures reliability and quick entry via Bluetooth, Wi-Fi and LTE. With encryption at every level and powerful, user-level permissions, Openpath Access is both more secure and more dynamic than traditional access control systems. Openpath Access' streamlined, customizable features make office management easier than ever.



OP-RHF-STD, OP-RLF-STD
 OP-RHF-MULB, OP-RLF-MULB
 Standard and Mullion Smart Readers



HF Door Reader

Card Compatibility

- Openpath DESFire EV2
- MIFARE Classic/DESFire/Ultralight (ISO14443A) CSN

LF Door Reader

Card Compatibility

- Openpath Proximity
- HID® Proximity
- LenelProx®

	HF Reader	LF Reader
Cloud Managed	Yes	Yes
Form	Standard, Mullion	Standard, Mullion
Color	Black, White*	Black, White*
Frequency	13.56 MHz	125 kHz
Openpath Bluetooth	Yes	Yes
NFC	Yes	No
Wave to Unlock/Touch	Yes	Yes
Auto Proximity Unlock	Yes	Yes
Openpath Prox Cards/Fobs	No	Yes
HID® Prox	No	Yes
LenelProx®	No	Yes
Openpath DESFire EV2	Yes	No
MIFARE/DESFire (CSN)	Yes	No
Standards	ISO 14443A	Prox
Certification	FCC, UL 294, CE	FCC, UL 294, CE
Environmental	IP65	IP65

*White only available for Standard Smart Readers

Features

- Snap-on faceplate (standard reader only)
- Modern design, can seamlessly blend into or upgrade the aesthetics of any entry
- Indoor/outdoor design
- Supports auxiliary Wiegand readers connected through the Openpath reader
- Functions seamlessly with the mobile application
- Available on both Android and iOS
- Integrates with Smart Watches in addition to the mobile app
- Supports remote unlocking with user-level privileges
- Lifetime warranty

Installation

- Easy installation via RS-485 wiring, compatible with legacy Wiegand wiring, to the Openpath Smart Hub access control unit (ACU). Wiring details:

PIGTAIL color	Name (short)	Name (full)	
Gray	GND	Ground (RTN)	Primary ACU Connections
Blue	+B	RS485-B	
Violet	-A	RS485-A	
Orange	VIN	+12V IN	
Red	VO	Wiegand Voltage	Connections to Auxiliary Wiegand Reader
Black	GND	Wiegand RTN	
Green	WD0	Wiegand Data 0	
White	WD1	Wiegand Data 1	
Brown	LED	Wiegand LED	
Yellow	BUZZER	Wiegand Buzzer	

Temperature should not exceed -22°F to 140°F (-30°C to 60°C)

Security

- Fully encrypted communication between mobile app and ACU
- Fully encrypted communication between Openpath key cards and reader
- Eliminates the threat of copying or cloning Openpath key cards

System Compatibility

- Reader works with Openpath Access System including Openpath ACUs, Cloud Management Software, and Mobile App
- Reader works with legacy access control systems via Mobile Gateway option

Standard Reader Dimensions

- With back cover, no gang box: 2.9 x 4.7 x 0.9 in (7.4 x 12.0 x 2.3 cm)
- No back cover, on gang box: 2.9 x 4.7 x 0.43 in (7.4 x 12.0 x 1.1 cm)

Mullion Reader Dimensions

- 1.7 x 4.7 x 0.86 in (4.3 x 11.9 x 2.2 cm)

